



Model Number

NEB22-30GM60-E2-V1

Features

- 22 mm quasi flush
- Increased operating distance

Accessories

BF 30

Mounting flange, 30 mm

V1-G

Female connector, M12, 4-pin, field attachable

V1-W

Female connector, M12, 4-pin, field attachable

V1-G-2M-PUR

Female cordset, M12, 4-pin, PUR cable

V1-W-2M-PUR

Female cordset, M12, 4-pin, PUR cable

Technical Data

General specifications

| | | |
|----------------------------|-------|---------------|
| Switching element function | PNP | NO |
| Rated operating distance | s_n | 22 mm |
| Installation | | quasi flush |
| Output polarity | | DC |
| Assured operating distance | s_a | 0 ... 17.8 mm |
| Reduction factor r_{Al} | | 0.25 |
| Reduction factor r_{Cu} | | 0.22 |
| Reduction factor r_{304} | | 0.65 |

Nominal ratings

| | | |
|-----------------------------|-------|----------------------------|
| Installation conditions | | |
| A | | 6 mm |
| B | | 37 mm |
| C | | 66 mm |
| F | | 80 mm |
| Operating voltage | U_B | 10 ... 30 V |
| Switching frequency | f | 0 ... 150 Hz |
| Hysteresis | H | ≤ 10 % |
| Reverse polarity protection | | reverse polarity protected |
| Short-circuit protection | | pulsing |
| Voltage drop | U_d | ≤ 5 V |
| Operating current | I_L | 0 ... 200 mA |
| Off-state current | I_r | ≤ 0.1 mA |
| No-load supply current | I_0 | ≤ 10 mA |
| Switching state indicator | | LED, yellow |

Functional safety related parameters

| | |
|--------------------------------|-------|
| MTTF _d | 213 a |
| Mission Time (T _M) | 20 a |
| Diagnostic Coverage (DC) | 0 % |

Ambient conditions

| | |
|---------------------|--------------------------------|
| Ambient temperature | -25 ... 70 °C (-13 ... 158 °F) |
|---------------------|--------------------------------|

Mechanical specifications

| | |
|----------------------|--------------------------|
| Connection type | Connector M12 x 1, 4-pin |
| Housing material | chromium plated brass |
| Sensing face | PBT |
| Degree of protection | IP67 |

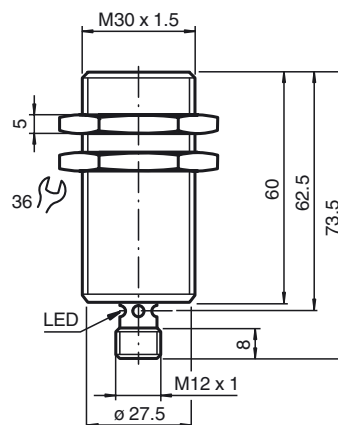
Compliance with standards and directives

| | |
|---------------------|--|
| Standard conformity | |
| Standards | EN 60947-5-2:2007 IEC 60947-5-2:2007 Non-standard connector assignment |

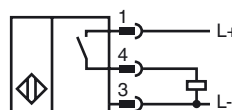
Approvals and certificates

| | |
|--------------|--|
| UL approval | cULus Listed, General Purpose |
| CSA approval | cCSAus Listed, General Purpose |
| CCC approval | CCC approval / marking not required for products rated ≤36 V |

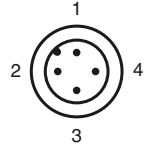
Dimensions



Electrical Connection



Pinout



Wire colors in accordance with EN 60947-5-2

| | | | |
|---|--|----|---------|
| 1 | | BN | (brown) |
| 2 | | WH | (white) |
| 3 | | BU | (blue) |
| 4 | | BK | (black) |

Installation Conditions

